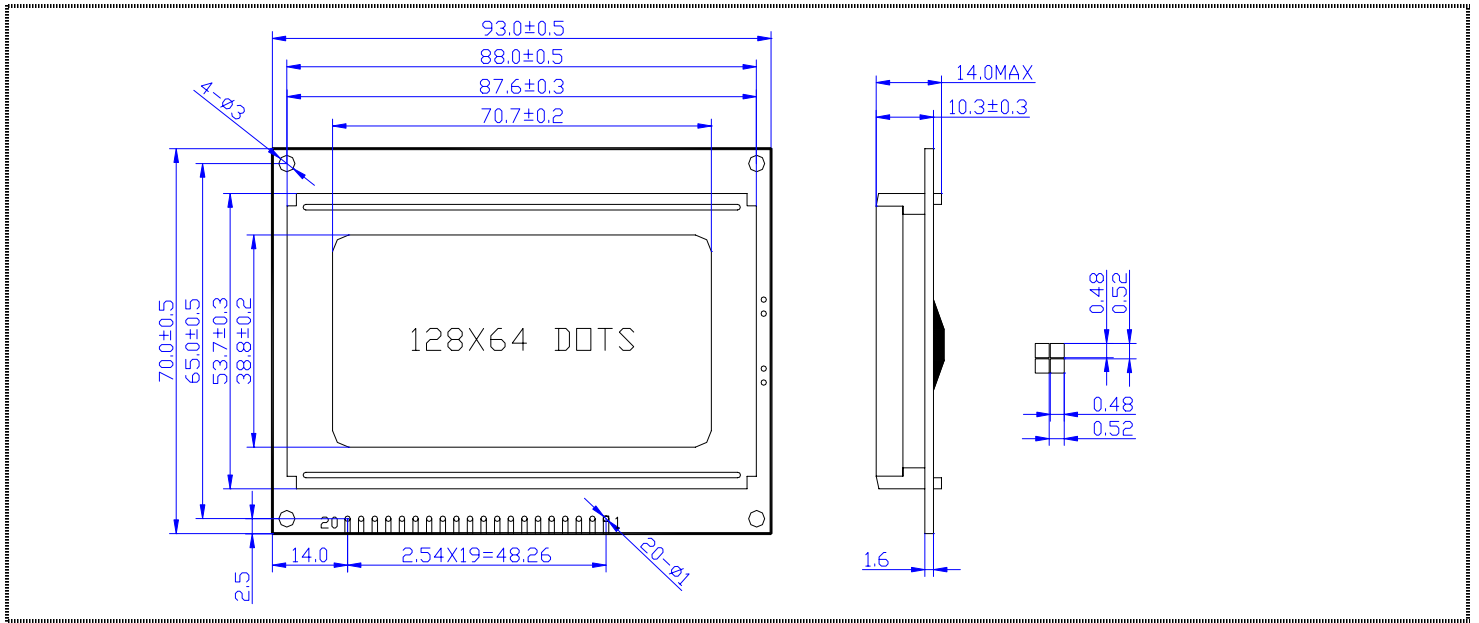


# HF12864J-1

SHANGHAI HENGFANG ELECTRONIC CO.,LTD  
 Address:上海市北京东路668号 赛格电子 2A13 B318  
 Tel:021-53085818 53081376 51571718  
 FAX:021-53085818 Postcode:200010  
 E-Mail:wanghx70@163.com Http://www.hengfang.com.cn



MECHANICAL DATA		
Item	Nominal Dimensions	Unit
Module Size(W×H×T)	93.0 × 70.0 × 14.0	mm
Viewing Area(W×H)	70.7 × 38.8	mm
Dot Pitch(W×H)	0.52 × 0.52	mm
Dot Size(W×H)	0.48 × 0.48	mm

PIN CONNECTIONS			
PIN	Symbol	Level	Function
1	GND	—	GND(0V)
2	VDD	—	Supply Voltage for Logic(+5V)
3	V0	—	Power Supply for LCD
4	RS	H/L	H: Data ; L: Instruction Code
5	RW	H/L	H: Read; L: Write
6	E	H/L	Enable signal
7	DB0	H/L	Data Bus Line
8	DB1	H/L	
9	DB2	H/L	
10	DB3	H/L	
11	DB4	H/L	
12	DB5	H/L	
13	DB6	H/L	
14	DB7	H/L	
15	CSA	H	H:Chip Selection For Left Screen
16	CSB	H	H:Chip Selection For Right Screen
17	RST	L	Reset Signal (Active LOW )
18	VEE	—	Negative Voltage to LCD
19	BLA	—	Backlight Power (+5V)
20	BLK	—	Backlight Power (0V)

ABSOLUTE MAXIMUM RATINGS					
Item	Symbol	Min	Type	Max	Unit
Operating Voltage	VDD	4.5	5.0	5.5	V
Operating Current	IDD	4.0	4.3	5.0	mA
LED Voltage	V <sub>LED</sub>	4.5	5.0	5.5	V
LED Current	I <sub>LED</sub>	65	100	140	mA
Operating Temp.	T <sub>opr</sub>	-20	—	+70	
Storage Temp.	T <sub>sto</sub>	-30	—	+80	

ELECTRICAL CHARACTERISTICS					
Item	Symbol	Min	Type	Max	Unit
Input Hight Voltage	V <sub>IH</sub>	0.7VDD	—	VDD	V
Input Low Voltage	V <sub>IL</sub>	0	—	0.3VDD	V
Output Hight Voltage	V <sub>OH</sub>	2.4	—	VDD	V
Output Low Voltage	V <sub>OL</sub>	0	—	0.4	V

