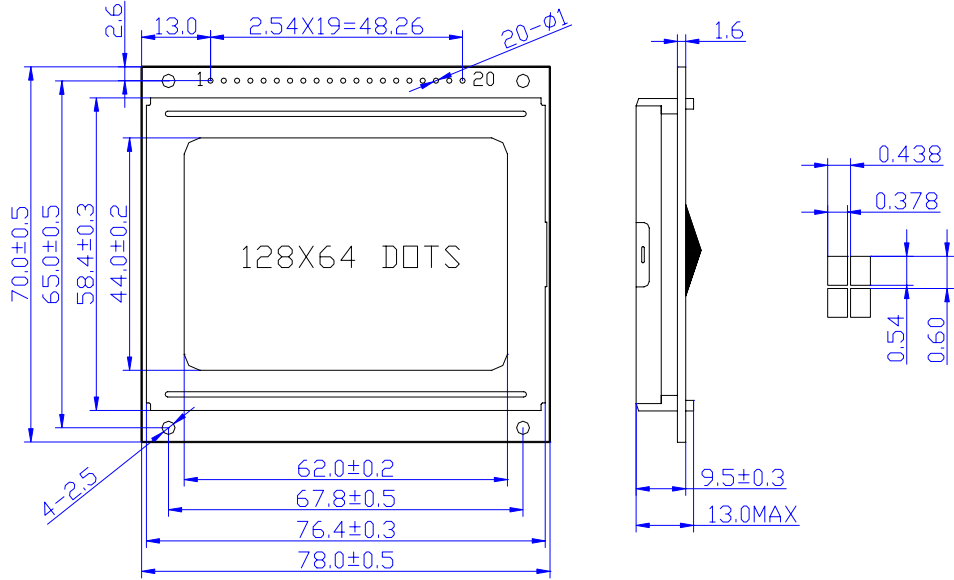


HF12864-10

SHANGHAI HENGFANG ELECTRONIC CO.,LTD
 Address:上海市北京东路668号 赛格电子 2A13 B318
 Tel:021-53085818 53081376 51571718
 FAX:021- 53085818 Postcode:200010
 E-Mail:wanghx70@163.com Http://www.hengfang.com.cn



MECHANICAL DATA		
Item	Nominal Dimensions	Unit
Module Size(W×H×T)	78.0 × 70.0 × 13.0	mm
Viewing Area(W×H)	62.0 × 44.0	mm
Dot Pitch(W×H)	0.438 × 0.60	mm
Dot Size(W×H)	0.378 × 0.54	mm

PIN CONNECTIONS			
PIN	Symbol	Level	Function
1	FG	—	Frame Ground
2	VSS	—	GND(0V)
3	VDD	—	Supply Voltage for Logic(+5V)
4	V0	—	Power Supply for LCD
5	/WR	L	Command and data write signal
6	/RD	L	Data and status read signal
7	/CE	L	Chip enable signal
8	C/D	H/L	H:Command; L:Data
9	/RST	L	Reset Signal (Active LOW)
10	D0	H/L	Data Bus Line
11	D1	H/L	
12	D2	H/L	
13	D3	H/L	
14	D4	H/L	
15	D5	H/L	
16	D6	H/L	
17	D7	H/L	
18	FS	H/L	Selection of font. H: 6×8; L: 8×8
19	LEDA	—	Backlight Power (+5V)
20	LEDK	—	Backlight Power (0V)

ABSOLUTE MAXIMUM RATINGS					
Item	Symbol	Min	Type	Max	Unit
Operating Voltage	VDD	4.5	5.0	5.5	V
Operating Current	IDD	15	35	50	mA
LED Voltage	V _{LED}	4.5	5.0	5.5	V
LED Current	I _{LED}	75	130	185	mA
Operating Temp.	T _{opr}	-20	—	+70	
Storage Temp.	T _{sto}	-30	—	+80	

ELECTRICAL CHARACTERISTICS					
Item	Symbol	Min	Type	Max	Unit
Input Hight Voltage	V _{IH}	VDD-2.2	—	VDD	V
Input Low Voltage	V _{IL}	0	—	0.8	V
Output Hight Voltage	V _{OH}	VDD-0.3	—	VDD	V
Output Low Voltage	V _{OL}	0	—	0.3	V

