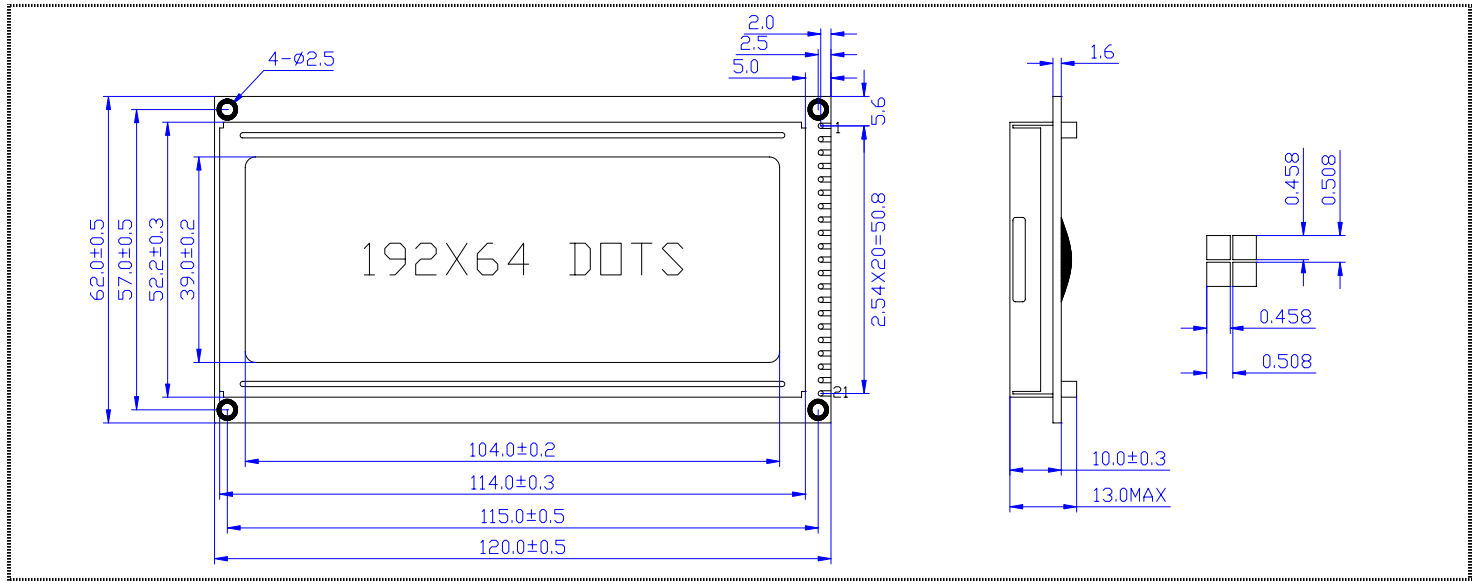


# HF19264C

SHANGHAI HENGFANG ELECTRONIC CO.,LTD  
 Address: 上海市北京东路668号 赛格电子 2A13 B318  
 Tel:021-53085818 53081376 51571718  
 FAX:021-53085818 Postcode:200010  
 E-Mail:wanghx70@163.com Http://www.hengfang.com.cn



MECHANICAL DATA		
Item	Nominal Dimensions	Unit
Module Size(W×H×T)	120.0 × 62.0 × 13.0	mm
Viewing Area(W×H)	104.0 × 39.0	mm
Dot Pitch(W×H)	0.508 × 0.508	mm
Dot Size(W×H)	0.458 × 0.458	mm

PIN CONNECTIONS			
PIN	Symbol	Level	Function
1	VSS	—	GND(0V)
2	VDD	—	Supply Voltage for Logic(+5V)
3	V0	—	Power Supply for LCD
4	VEE	—	Negative Voltage to LCD
5	RS	H/L	H: Data ; L: Instruction Code
6	R/W	H/L	H: Read; L: Write
7	E	H/L	Enable signal
8	DB0	H/L	Data Bus Line
9	DB1	H/L	
10	DB2	H/L	
11	DB3	H/L	
12	DB4	H/L	
13	DB5	H/L	
14	DB6	H/L	
15	DB7	H/L	
16	CS1	L	L:Chip Selection For Left Screen
17	CS2	L	L:Chip Selection For Middle Screen
18	CS3	L	L:Chip Selection For Right Screen
19	/RES	L	Reset Signal (Active LOW )
20	LEDK	—	Backlight Power (0V)
21	LEDA	—	Backlight Power (+5V)

ABSOLUTE MAXIMUM RATINGS					
Item	Symbol	Min	Type	Max	Unit
Operating Voltage	VDD	4.5	5.0	5.5	V
Operating Current	IDD	4.3	4.5	5.0	mA
LED Voltage	V <sub>LED</sub>	4.5	5.0	5.5	V
LED Current	I <sub>LED</sub>	70	130	150	mA
Operating Temp.	T <sub>opr</sub>	-20	—	+70	
Storage Temp.	T <sub>sto</sub>	-30	—	+80	

ELECTRICAL CHARACTERISTICS					
Item	Symbol	Min	Type	Max	Unit
Input Hight Voltage	V <sub>IH</sub>	0.7VDD	—	VDD	V
Input Low Voltage	V <sub>IL</sub>	0	—	0.3VDD	V
Output Hight Voltage	V <sub>OH</sub>	2.4	—	VDD	V
Output Low Voltage	V <sub>OL</sub>	0	—	0.4	V

