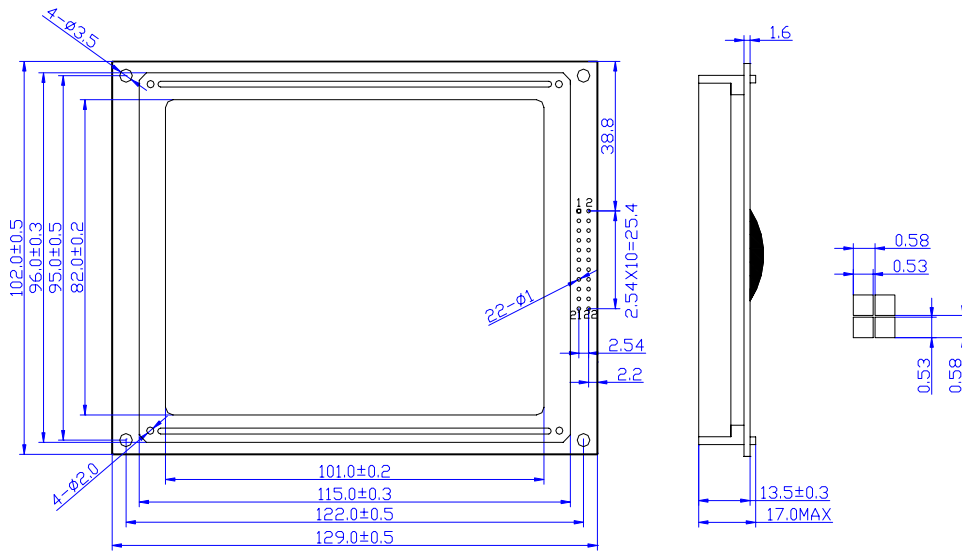


HF160128-1

SHANGHAI HENGFANG ELECTRONIC CO.,LTD
 Address:上海市北京东路668号 赛格电子 2A13 B318
 Tel:021-53085818 53081376 51571718 FAX:021-53085818
 Postcode:200010
 E-Mail:wanghx70@163.com http://www.hengfang.com.cn



MECHANICAL DATA		
Item	Nominal Dimensions	Unit
Module Size(W×H×T)	129.0 × 102.0 × 16.5	mm
Viewing Area(W×H)	101.0 × 82.0	mm
Dot Pitch(W×H)	0.58 × 0.58	mm
Dot Size(W×H)	0.53 × 0.53	mm

PIN CONNECTIONS			
PIN	Symbol	Level	Function
1	FG	—	Frame Ground
2	VSS	—	GND(0V)
3	VDD	—	Supply Voltage for Logic(+5V)
4	V0	—	Power Supply for LCD
5	VEE	—	Negative Voltage to LCD
6	/WR	L	Command and data write signal
7	/RD	L	Data and status read signal
8	/CE	L	Chip enable signal
9	C/D	H/L	H:Command; L:Data
10	/HALT	H/L	H: Normal; L:Stops the oscillation of the clock
11	/RST	L	Reset Signal (Active LOW)
12	D0	H/L	Data Bus Line
13	D1	H/L	
14	D2	H/L	
15	D3	H/L	
16	D4	H/L	
17	D5	H/L	
18	D6	H/L	
19	D7	H/L	
20	NC	—	NO Connect
21	LEDK	—	Backlight Power (0V)
22	LEDA	—	Backlight Power (+5V)

ABSOLUTE MAXIMUM RATINGS					
Item	Symbol	Min	Type	Max	Unit
Operating Voltage	VDD	4.5	5.0	5.5	V
Operating Current	IDD	33	59	74	mA
LED Voltage	V _{LED}	4.5	5.0	5.5	V
LED Current	I _{LED}	250	350	440	mA
Operating Temp.	T _{opr}	0	—	+50	
Storage Temp.	T _{sto}	-10	—	+60	

ELECTRICAL CHARACTERISTICS					
Item	Symbol	Min	Type	Max	Unit
Input High Voltage	V _{IH}	VDD-2.2	—	VDD	V
Input Low Voltage	V _{IL}	0	—	0.8	V
Output High Voltage	V _{OH}	4.2	—	VDD	V
Output Low Voltage	V _{OL}	0	—	0.3	V

