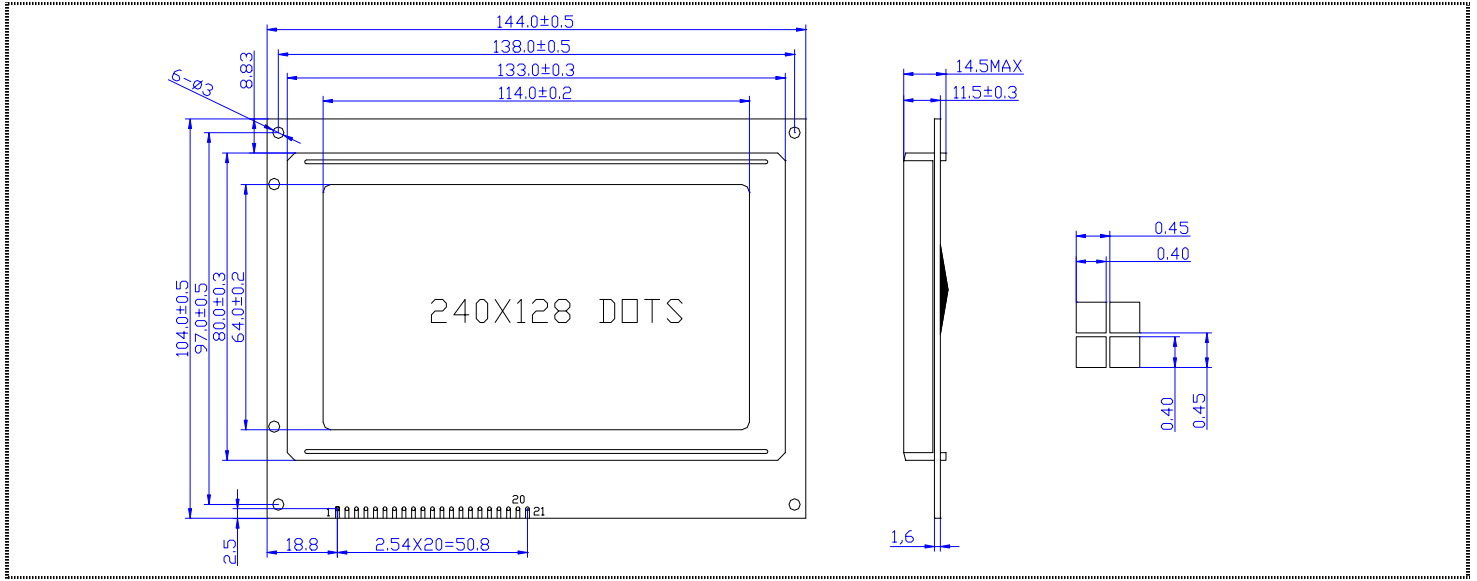


# HF240128A

SHANGHAI HENGFANG ELECTRONIC CO.,LTD  
 Address:上海市北京东路668号 赛格电子 2A13 B318  
 Tel:021-53085818 53081376 51571718  
 FAX:021-53085818 Postcode:200010  
 E-Mail:wanghx70@163.com Http://www.hengfang.com.cn



## MECHANICAL DATA

Item	Nominal Dimensions	Unit
Module Size(W×H×T)	144.0 × 104.0 × 14.5	mm
Viewing Area(W×H)	114.0 × 64.0	mm
Dot Pitch(W×H)	0.45 × 0.45	mm
Dot Size(W×H)	0.40 × 0.40	mm

## PIN CONNECTIONS

PIN	Symbol	Level	Function
1	FG	—	Frame Ground
2	VSS	—	GND(0V)
3	VDD	—	Supply Voltage for Logic(+5V)
4	V0	—	Power Supply for LCD
5	/WR	L	Command and data write signal
6	/RD	L	Data and status read signal
7	CE	L	Chip enable signal
8	C/D	H/L	H:Command; L:Data
9	/RST	L	Reset Signal (Active LOW)
10	D0	H/L	Data Bus Line
11	D1	H/L	
12	D2	H/L	
13	D3	H/L	
14	D4	H/L	
15	D5	H/L	
16	D6	H/L	
17	D7	H/L	
18	FS	H/L	Selection of font. H: 6×8; L: 8×8
19	VOUT	—	Negative Voltage to LCD
20	LEDA	—	Backlight Power (+5V)
21	LEDK	—	Backlight Power (+0V)

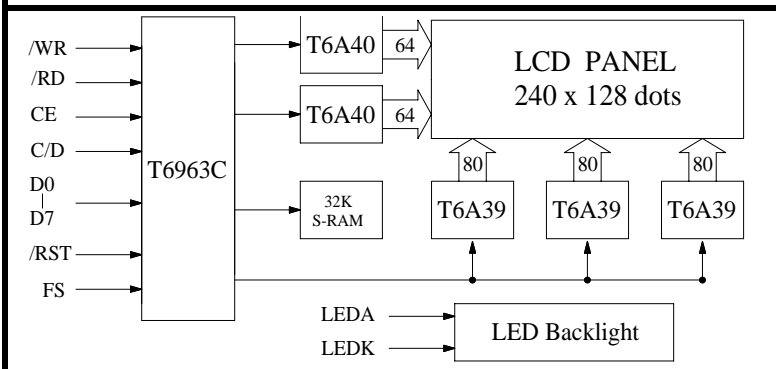
## ABSOLUTE MAXIMUM RATINGS

Item	Symbol	Min	Type	Max	Unit
Operating Voltage	VDD	4.5	5.0	5.5	V
Operating Current	IDD	20	23	25	mA
LED Voltage	V <sub>LED</sub>	4.5	5.0	5.5	V
LED Current	I <sub>LED</sub>	105	170	230	mA
Operating Temp.	T <sub>opr</sub>	-20	—	+70	
Storage Temp.	T <sub>sto</sub>	-30	—	+80	

## ELECTRICAL CHARACTERISTICS

Item	Symbol	Min	Type	Max	Unit
Input Hight Voltage	V <sub>IH</sub>	VDD-2.2	—	VDD	V
Input Low Voltage	V <sub>IL</sub>	0	—	0.8	V
Output Hight Voltage	V <sub>OH</sub>	VDD-0.3	—	VDD	V
Output Low Voltage	V <sub>OL</sub>	0	—	0.3	V

## BLOCK DIAGRAM



## POWER SUPPLY

