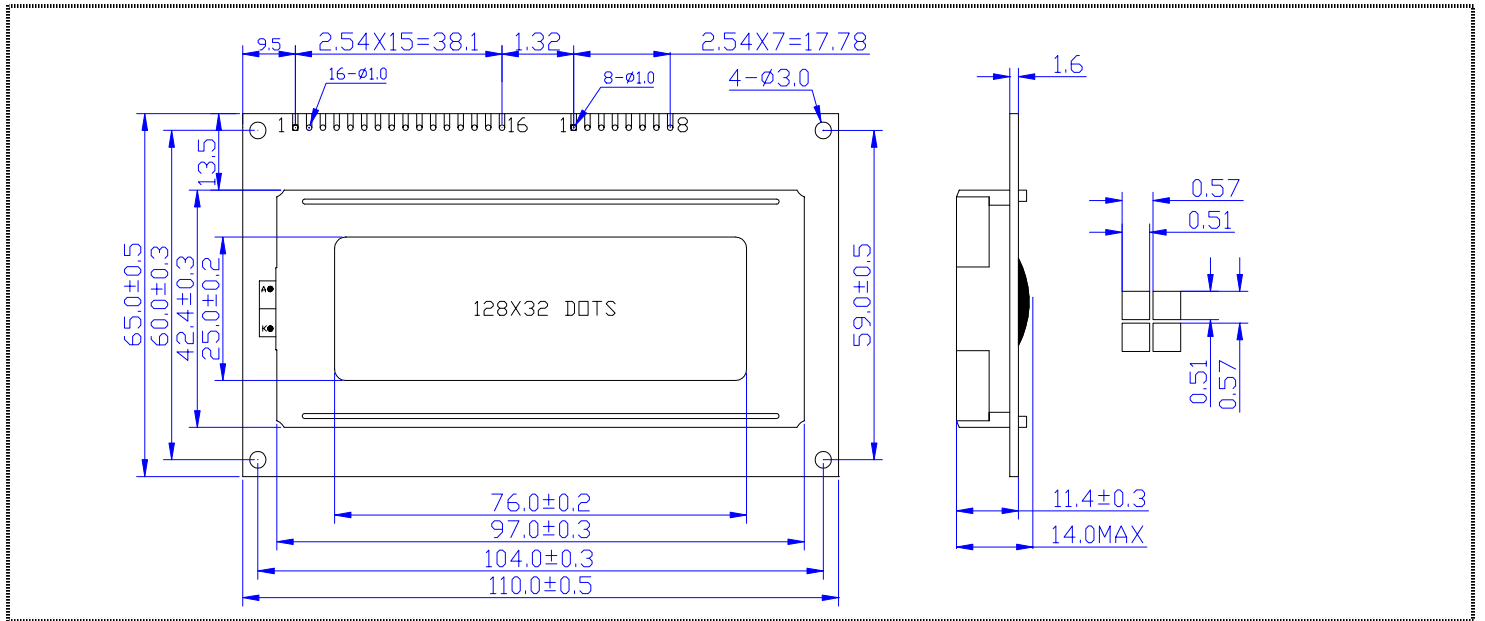


HF12832B(Parallel)

SHANGHAI HENGFANG ELECTRONIC CO.,LTD
 Address: 上海市北京东路668号 赛格电子 2A13 B318
 Tel:021-53085818 53081376 51571718
 FAX:021-53085818 Postcode:200010
 E-Mail:wanghx70@163.com Http://www.hengfang.com.cn



MECHANICAL DATA		
Item	Nominal Dimensions	Unit
Module Size(W×H×T)	110.0 × 65.0 × 14.0	mm
Viewing Area(W×H)	76.0 × 25.0	mm
Dot Pitch(W×H)	0.57 × 0.57	mm
Dot Size(W×H)	0.51 × 0.51	mm

PIN CONNECTIONS			
PIN	Symbol	Level	Function
1	LED+	—	Backlight Power(+5V)
2	LED-	—	Backlight Power(0V)
3	VSS	—	GND(0V)
4	VDD	—	Supply Voltage for Logic(+5V)
5	VEE	—	Power supply for LCD
6	RS	H/L	H: Data ; L: Instruction Code (parallel)
7	R/W	H/L	H: Read ; L: Write (Parallel)
8	E	H/L	Enable Signal (Parallel)
9	DB0	H/L	Data Bus Line
10	DB1	H/L	
11	DB2	H/L	
12	DB3	H/L	
13	DB4	H/L	
14	DB5	H/L	
15	DB6	H/L	
16	DB7	H/L	

ABSOLUTE MAXIMUM RATINGS					
Item	Symbol	Min	Type	Max	Unit
Operating Voltage	VDD	4.5	5.0	5.5	V
Operating Current	IDD	0.8	1.0	1.3	mA
LED Voltage	V _{LED}	4.5	5.0	5.5	V
LED Current	I _{LED}	120	150	170	mA
Operating Temp.	Topr	-20	—	+70	
Storage Temp.	Tsto	-30	—	+80	

ELECTRICAL CHARACTERISTICS					
Item	Symbol	Min	Type	Max	Unit
Input High Voltage	V _{IH}	0.7VDD	—	VDD	V
Input Low Voltage	V _{IL}	0	—	0.6	V
Output High Voltage	V _{OH}	0.8VDD	—	VDD	V
Output Low Voltage	V _{OL}	0	—	0.4	V

J1 : Connect Left(VDD) is Parallel
 Connect Right(VSS) is Serial
 Supply Voltage for Logic is 3V by customer

