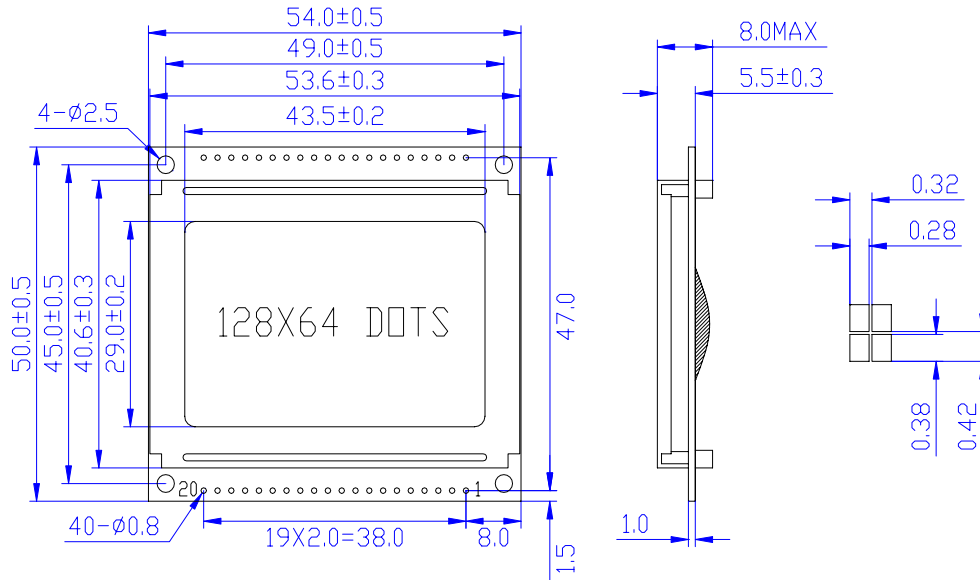


HF12864I-1

SHANGHAI HENGFANG ELECTRONIC CO.,LTD
 Address:上海市北京东路668号 赛格电子 2A13 B318
 Tel:86-021-53084818 53081376 51571718
 FAX:86-021-53085818 Postcode:200010
 Http://www.hengfang.com.cn



MECHANICAL DATA		
Item	Nominal Dimensions	Unit
Module Size(W×H×T)	54.0 × 50.0 × 8.0	mm
Viewing Area(W×H)	43.5 × 29.0	mm
Dot Pitch(W×H)	0.32 × 0.42	mm
Dot Size(W×H)	0.28 × 0.38	mm

PIN CONNECTIONS			
PIN	Symbol	Level	Function
1	VSS	—	GND(0V)
2	VDD	—	Supply Voltage for Logic(+5V)
3	V0	—	Power supply for LCD
4	RS/CS	H/L	H: Data ; L: Instruction Code/Chip select
5	RW/SID	H/L	H: Read; L: Write(Parallel)/Data(Serial)
6	E/SCLK	H/L	Enable Signal(Parallel) / Serial Clock
7	DB0	H/L	Data Bus Line
8	DB1	H/L	
9	DB2	H/L	
10	DB3	H/L	
11	DB4	H/L	
12	DB5	H/L	
13	DB6	H/L	
14	DB7	H/L	
15	PSB	H/L	H:Parallel Mode; L:Serial Mode
16	NC	—	NO Connect
17	/RST	L	Reset Signal (Active LOW)
18	VOUT	—	Voltage Doubler Ouput(Active Doubler)
19	LEDA	—	Backlight Power (+5V)
20	LEDK	—	Backlight Power (0V)

ABSOLUTE MAXIMUM RATINGS					
Item	Symbol	Min	Type	Max	Unit
Operating Voltage	VDD	4.5	5.0	5.5	V
Operating Current	IDD	4.5	5.3	6.1	mA
LED Voltage	V _{LED}	4.5	5.0	5.5	V
LED Current	I _{LED}	52	62	74	mA
Operating Temp.	Topr	-20	—	+70	
Storage Temp.	Tsto	-30	—	+80	

ELECTRICAL CHARACTERISTICS					
Item	Symbol	Min	Type	Max	Unit
Input Hight Voltage	V _{IH}	0.7VDD	—	VDD	V
Input Low Voltage	V _{IL}	0	—	0.6	V
Output Hight Voltage	V _{OH}	0.8VDD	—	VDD	V
Output Low Voltage	V _{OL}	0	—	0.4	V

